

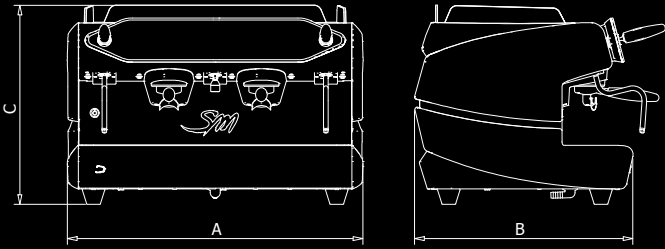
D. COLLECTION

Dati tecnici / Technical data

Modello Model	N. gruppi No. of brewing units	Capacità caldaia (litri) Boiler capacity in litres	Potenza assorbita (W) Power consumption (W)				Peso (kg) Weight (kg)
			Coll. alla rete Power connection		Pompa Pump	Scaldatazze (optional) Cup heater (optional)	
			Monof. Single ph.	Trifase Tri-ph.			T
D. MBV 2GR	2	12+2x0.4	5500	5500	330	100	72
D. MBV 3GR	3	12+3x0.4	7250	7250	330	125	88
D. MB T 2GR	2	12+2x0.4	5500	5500	275	100	72
D. MB T 3GR	3	12+3x0.4	7250	7250	275	125	88
D. C T 2GR	2	12	5500	5500	275	100	72
D. C T 3GR	3	19	7250	7250	275	125	88

D. COLLECTION

Dimensioni / Dimensions

Modello Model	N. gruppi No. of brewing units			
		A mm	B mm	C mm
D. MBV/MB T/C T 2GR	2	765	570	515
D. MBV/MB T/C T 3GR	3	1005	570	515